



# ZIMBABWE EZEKIEL GUTI UNIVERSITY

---

FACULTY OF SCIENCE, TECHNOLOGY, AGRICULTURE AND FOOD  
SYSTEMS DEVELOPMENT

---

DEPARTMENT OF INFORMATION SYSTEMS

## EXAMINATION PAPER

COURSE CODE : UWC 100  
COURSE TITLE : Introduction to Computers and Computer Applications  
DURATION : 3 Hours  
LEVEL : 1.1  
DATE : 2024 12 JUN 2024

### INSTRUCTIONS TO CANDIDATES:

1. This paper consists of 3 sections
2. Answer **ALL** Questions in SECTION A and **one from** SECTION B plus.

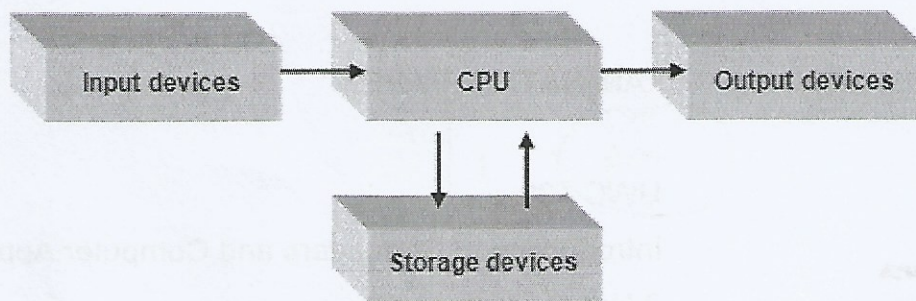
**There are 5 printed pages for this question paper**

## SECTION A

(Answer all questions from this section. The section carries **40 marks**)

### Question 1

All computers have the same four basic building blocks. These are the input devices, output devices, storage devices and the brain of the computer, the Central Processing Unit (CPU).



A diagrammatic representation of the four parts of a computer.

With the aid of relevant examples, describe the following:

- a) Input devices [2 marks]
- b) Output devices [2 marks]
- c) Storage devices [3 marks]
- d) CPU [3 marks]

### Question 2

- a) Define the term *internet* and distinguish it from *intranet* and *extranet*.

[5 marks]

- b) What do the following computing abbreviations stand for?

- i) www
- ii) WAN
- iii) LAN
- iv) DVD
- v) CD

[5 x 1 mark]

### Question 3

- a) What is a web browser? [2 marks]
- b) Give any TWO examples of commonly used web browsers [2 marks]
- c) Define the term email [2 marks]
- d) List TWO advantages and TWO disadvantages of using emails? [4 marks]

### Question 4

- a) What is a computer malware? [2 marks]
- b) List any FIVE symptoms and signs that a computer could have been infected by a virus. [5 marks]
- c) Discuss any THREE ways of safeguarding networked computers against viruses [3 marks]

### Question 5

- d) The education sector in Zimbabwe has benefited immensely from computers and information technology. Briefly discuss the various uses and applications of computer technology to Zimbabwe's education sector.

[20 marks]

---

## SECTION B

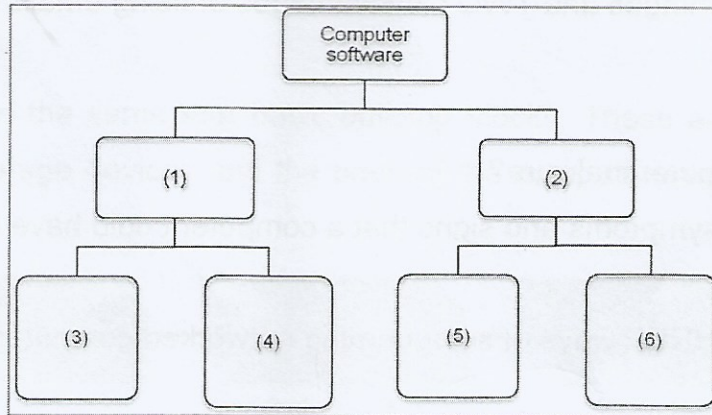
*(Answer any one questions from this section. The section carries 50 marks)*

### Question 6

The following are the major categories of computer software. Each of these fits into the boxed diagram below.

- a. Application Software
- b. System Software
- c. General Purpose Application Software
- d. Application-Specific Software
- e. System Management Programs

f. System Development Programs



- a) From the **diagram** above, assign each of the above mentioned categories of software to one of the numbered boxes in the diagram. In your answer book indicate the number of the box and the appropriate letter.

**[10 marks]**

- b) Explain the functions of:

i) Application Software

ii) System Software

iii) Utilities Software **[10 x3 = 30 marks]**

- c) Give two examples for each of the software in categories c, d, e and f above.

**[10 marks]**

### Question 7

Sulu runs his own taxi cab. Here is part of the spreadsheet which he uses to keep a record of his expenses and income.

|    | A               | B | C       | D        | E      | F      |
|----|-----------------|---|---------|----------|--------|--------|
| 1  | COSTS (in £s)   |   | JANUARY | FEBRUARY | MARCH  | APRIL  |
| 2  | Diesel          |   | 100.00  | 120.00   | 125.00 | 115.00 |
| 3  | Repairs         |   | 50.00   | 30.00    | 40.00  | 35.00  |
| 4  | Insurance       |   | 10.00   | 15.00    | 20.00  | 15.00  |
| 5  | Other Costs     |   | 15.00   | 17.00    | 17.50  | 17.00  |
| 6  | TOTAL COSTS     |   | 175.00  | 182.00   | 202.50 | 182.00 |
| 7  |                 |   |         |          |        |        |
| 8  | PASSENGER FARES |   | 420.00  | 500.20   | 525.45 | 480.80 |
| 9  |                 |   |         |          |        |        |
| 10 | PROFIT          |   | 245.00  | 318.20   | 322.95 | 298.80 |

Cells C6 and C10 each contain a formula.

- i) Suggest a suitable formula for cell C6. **[4 marks]**
- ii) Suggest a suitable formula for cell C10. **[4 marks]**
- iii) If cell E3 changes, name two other cells which will also change. **[4 marks]**
- iv) The formula in C6 has been replicated across to the other cells in row 6. What does *replicate* mean? **[4 marks]**
- v) Suggest suitable formatting for the following cells:
  - a. D1 **[4 marks]**
  - b. D5 **[4 marks]**
- vi) What can be done to the cells A8 and B8 containing the label "PASSENGER FARES" so that the label appears as if it were in one cell only? **[4 marks]**
- vii) Write a formula that displays amount less than 50 in C11 **[4 marks]**
- viii) Write a formula that displays amount greater than 100 in d11 **[4 marks]**
- ix) Write a formula that displays average off Diesel amount in cell G1 **[4 marks]**
- x) Excel allows the user to combine addition, subtraction, multiplication and division in a single formula. Describe the rules of arithmetic that Excel follows in

calculating such formulas. When would you use parenthesis in an Excel formula? [10 marks]

---

---

\*\*\* End of exam \*\*\*

3 | 1 (am)